

BUILT IN ELECTRIC FIREPLACE INSTALLATION GUIDE

**MODEL NUMBERS:
33EB304GRS
39EB364GRS**

CONSUMER SAFETY INFORMATION

PLEASE READ THIS MANUAL BEFORE INSTALLING THIS APPLIANCE

WARNING

**IF THE INFORMATION IN THIS MANUAL IS NOT FOLLOWED,
AN ELECTRIC SHOCK OR FIRE MAY RESULT CAUSING
PROPERTY DAMAGE, PERSONAL INJURY OR LOSS OF LIFE.**

**DO NOT STORE OR USE GASOLINE OR OTHER FLAMMABLE
VAPORS AND LIQUIDS IN THE VICINITY OF THIS
OR ANY OTHER APPLIANCE.**

Thank you and congratulations on your purchase of a Classic Flame fireplace. Please read the installation instructions before installing and operating this appliance.

IMPORTANT: Read all instructions and warnings carefully before starting installation. Failure to follow these instructions may result in a possible electric shock, fire hazard and/or injury and will void the warranty.

For Customer Service:

E-Mail: parts@twinstarhome.com
In English Call: 866-661-1218
En Français Call: 866-374-9203
En Español Call: 866-611-1218

LISTINGS AND CODE APPROVALS

THE BUILDERS BOX SERIES HAS BEEN TESTED AND APPROVED IN ACCORDANCE WITH THE
CSA **XXXXXX** No.**XXXXXX** STANDARDS FOR FIXED AND LOCATION
DEDICATED ELECTRIC ROOM HEATERS.

MODEL SPECIFICATIONS

MODEL NUMBER	DESCRIPTION	VOLTAGE	RATED POWER WATTS	REMOTE CONTROL	AMPS
33EB304AAS	33" STANDARD	120/208/240	1440/2100/2700	YES	12.00/10.10/11.25
39EB364AAS	39" STANDARD	120/208/240	1440/2100/2700	YES	12.00/10.10/11.25

!!! WARNING !!!

THE INSTALLATION OF THE FIREPLACE UNIT MUST COMPLY WITH THE APPLICABLE
LOCAL AND/ OR NATIONAL ELECTRICAL CODES AND UTILITY REQUIREMENTS.
THIS INSTALLATION SHOULD BE ENTRUSTED TO DULY QUALIFIED
PERSONNEL WHERE REQUIRED BY LAW.

STEP - BY - STEP INSTALLATION OVERVIEW

(please read all instructions before installation)

- 1) Rough in framing following the recommended dimensions. (see figure 1)
- 2) Allow at least 8" of service cable for connecting power supply wire to junction box on fireplace insert when installing before finishing wall. Allow up to 4 feet of service cable for connecting power supply wire to junction box on fireplace insert after finishing wall.
- 3) Remove the outer jacket and strip the individual conductors 1/2" from end.
- 4) Loosen the screw securing the junction box cover and remove the cover.
- 5) Place unit in position in the framed opening, level with shims if necessary
- 6) Wire a dedicated, properly fused circuit with a 15 amp rating for the appropriate voltage (120, 208/240). (See table above)
- 7) Install wall thermostat as outlined on page 10 section E
- 8) Place all connections inside the junction box. Secure the junction box cover on the unit.
When installing a cable clamp make sure it grips only the jacket of the service cable and thermostat wire.

!POWER SELECTION WARNING!



This unit is factory wired for 110 volt power supply.
If 208/240 volt operation is required, slide the voltage switch
and reconfigure the wiring accordingly (see figure 2).

Wires L1, L2, N & G are attached to the rear of
the junction box for easy access.



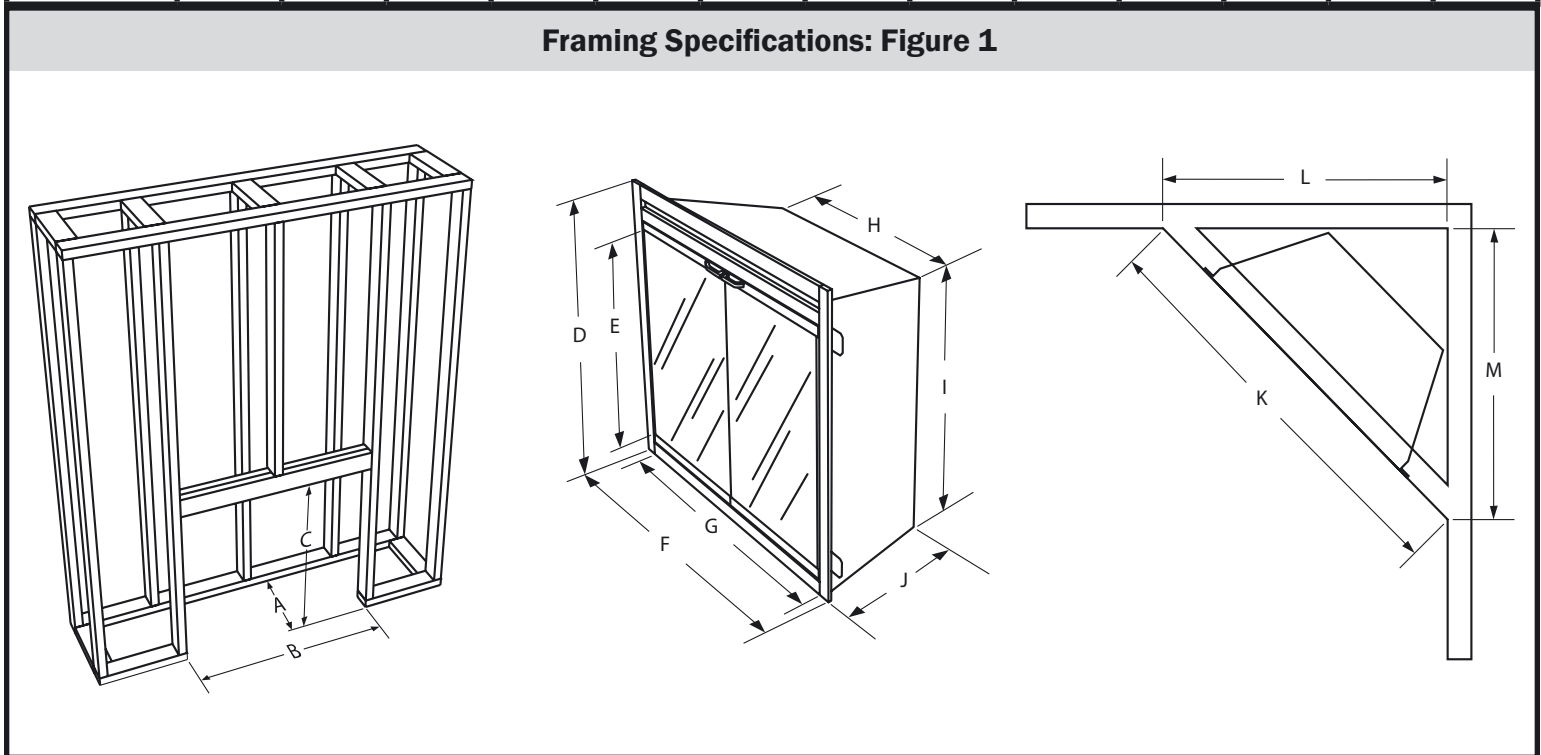
Section 1: Framing

This fireplace is a zero clearance design. No combustibles can be placed on the top surface of the fireplace. Combustibles may be installed to the edge of the unit.

Four mounting flanges on the sides of the unit are provided to facilitate installation. Insulation and vapor barrier should be placed a minimum of 2 inches from the unit.

MODEL	A	B	C	D	E	F	G	H	I	J	K	L	M
33EB304AAS	15.0"	33.0"	29"	28.5"	23.0"	32.8"	29.6"	18.25"	23.6"	14.3"	48.0"	28.0"	28.0"
33EB364GRS	16.0"	39.0"	33"	32.7"	27.2"	38.7"	36.0"	22.0"	27.6"	15.3"	55.0"	34.0"	34.0"

Framing Specifications: Figure 1



Section 2: Recommended Power Supply Wire Specifications

For **120 volt** installations use two conductor, non-metallic sheath cable with ground wire (3 wires total) for the incoming power supply on fireplace inserts. Use the appropriate wire to meet local and national electrical codes for rated power consumption.

For **208/240 volt** installations use three conductor, non-metallic sheath cable with ground wire (4 wires total) for the incoming power supply on fireplace inserts. Use the appropriate wire to meet local and national electrical codes for rated power consumption.

Two conductor, non-metallic sheath cable with ground wire (3 wires total) is recommended for installation of a wall mounted thermostat for use on fireplace inserts.

Recommended Wire and Fusing Requirements

Use appropriate wire to meet local and national electrical codes for rated power consumption. All wire gauges should be 12 gauge with a dedicated 15 amp breaker.

Section 3: Voltage Selector Switch Location

Important:

Ensure that the incoming power supply voltage matches the setting of the voltage selector switch!!!!!!

Caution:

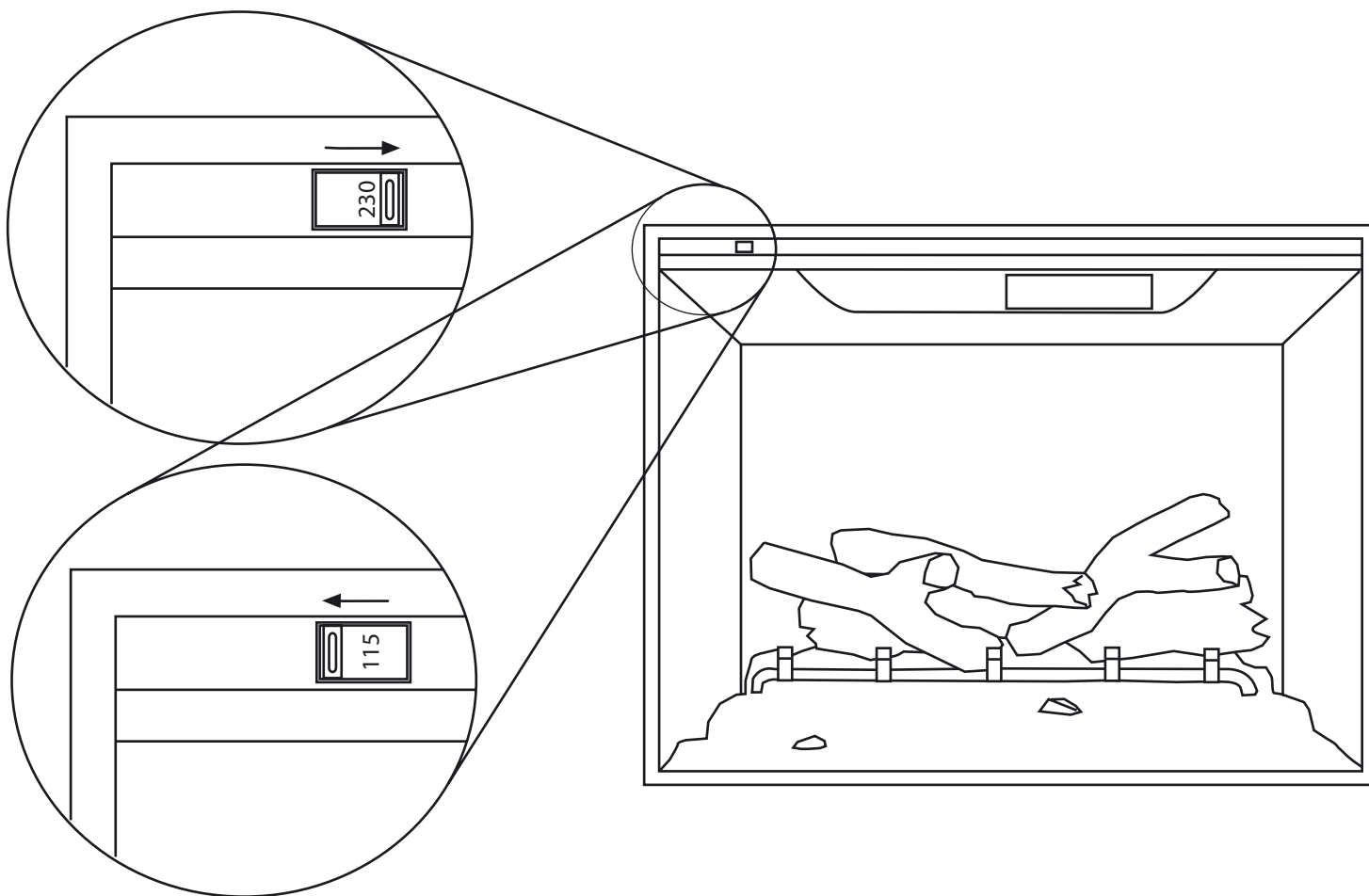
When changing the voltage selector switch from 240 volts to 120 volts ensure that the power supply is turned off.

The voltage selector switch is located inside the exhaust panel on the top left hand corner. Carefully insert a flat headed screwdriver inside the exhaust panel through the hole in the mesh to change the switch from 240 volts (230 position) to 120 volts (115 position). The unit ships with the switch in the 115v position.

When wiring the unit for 208/240 volts the voltage selector switch should be in the 230 volt position. (see figure 2)

When wiring the unit for 120 volts the voltage selector switch should be in the 115 volt position. (see figure 2)

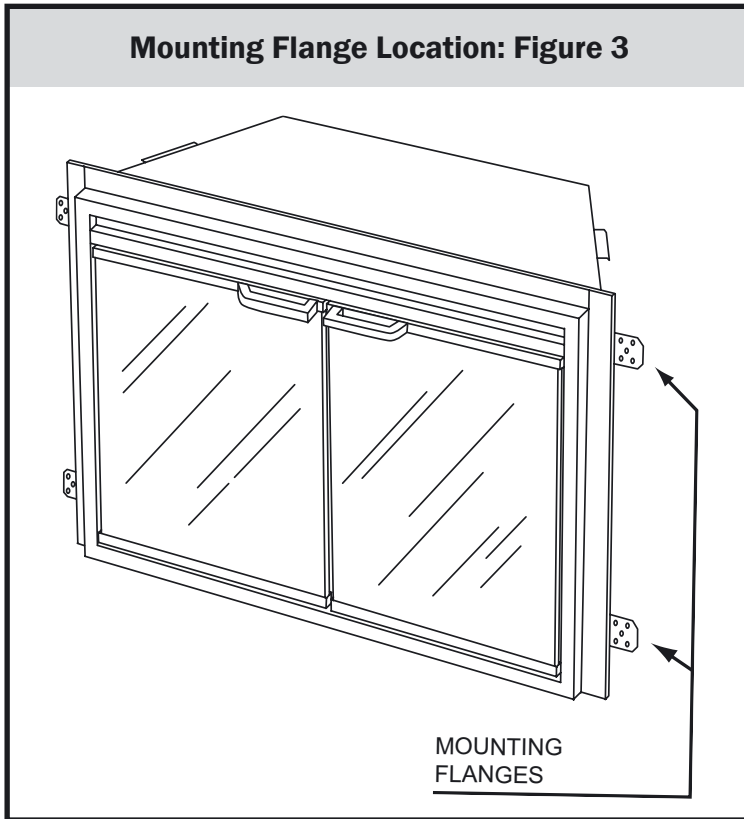
Voltage Selector Switch: Figure 2



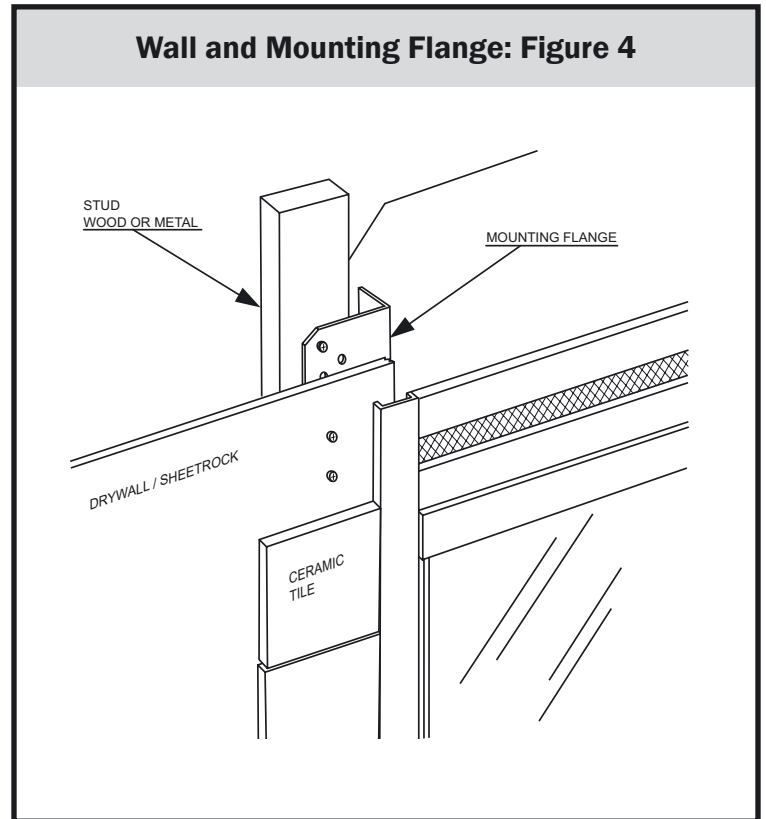
Section 4: Mounting Flanges

There are two mounting flanges located on each side of the fireplace insert. Bend tabs accordingly and mount to framing using suitable hardware.

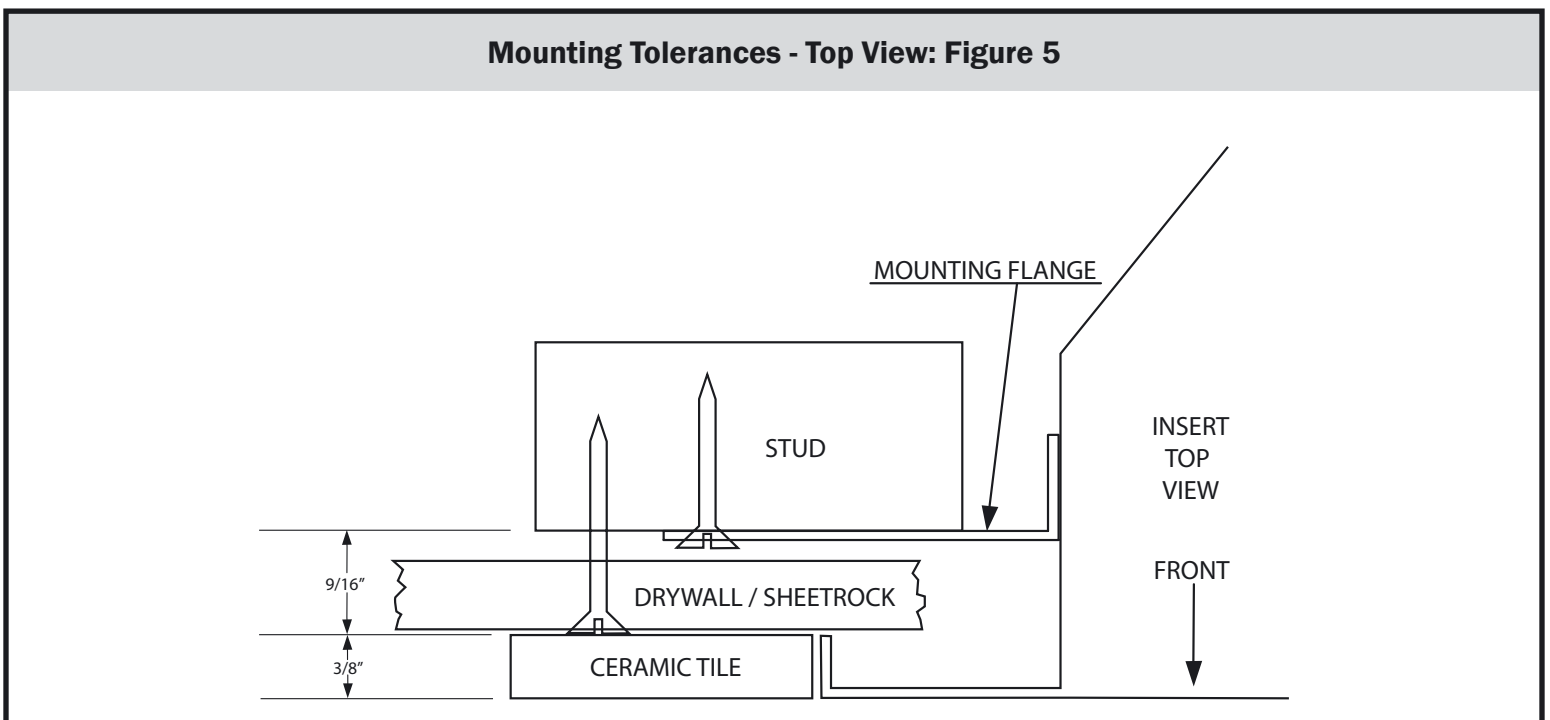
Mounting Flange Location: Figure 3



Wall and Mounting Flange: Figure 4



Mounting Tolerances - Top View: Figure 5

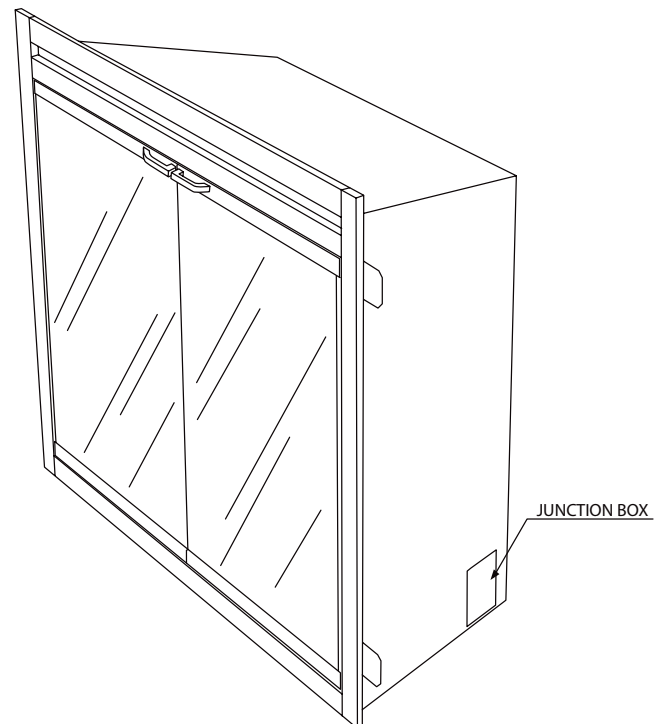


Section 5: 120 Volt Installation Instructions

Important

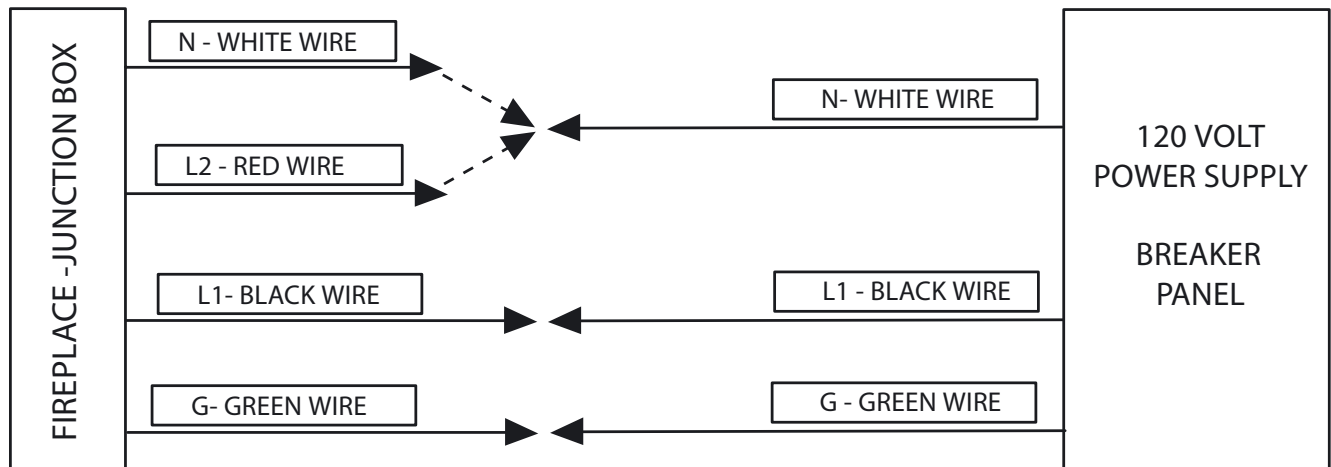
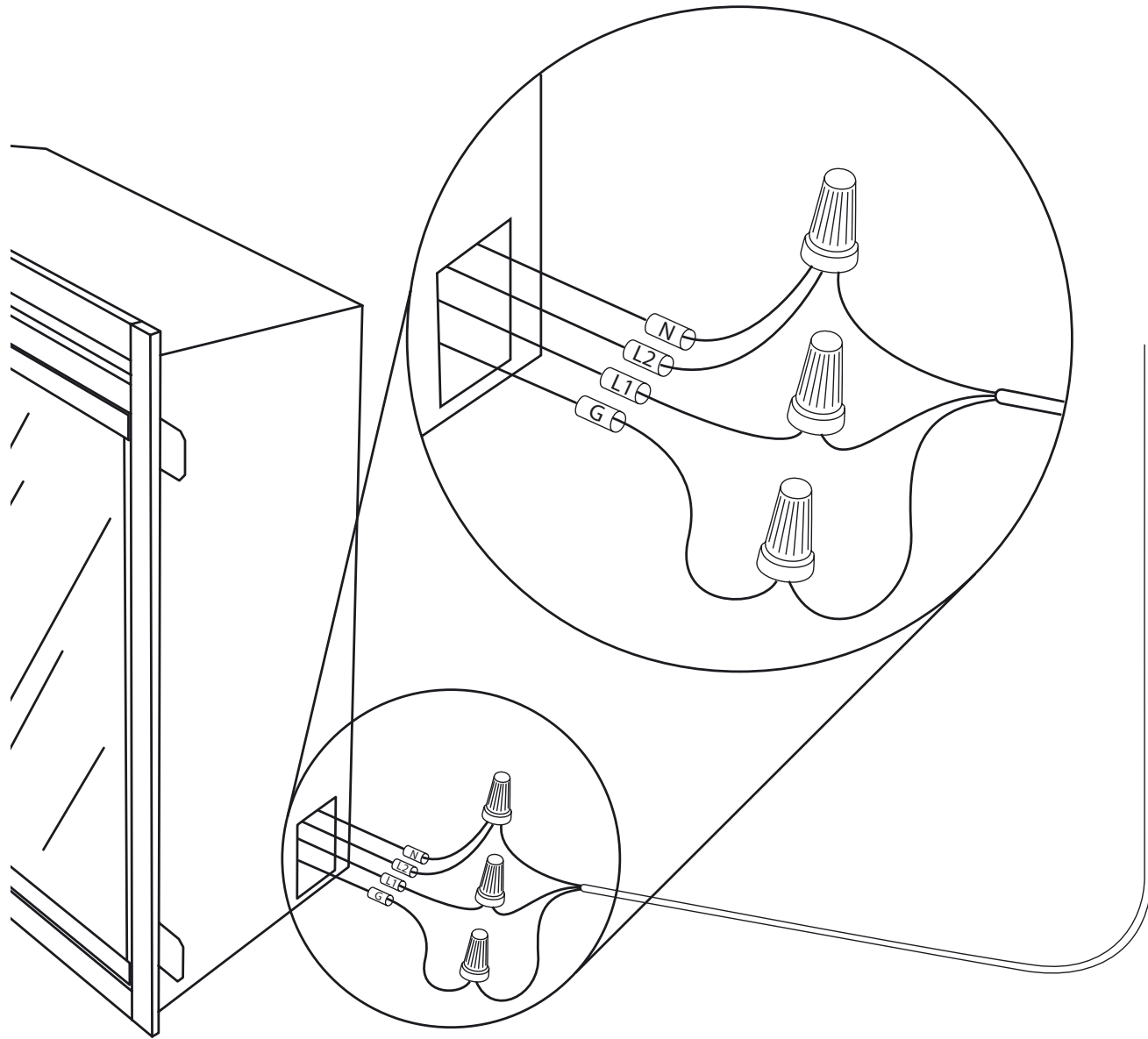
- The unit is factory configured for 120 volt operation.
- Use 2 conductor wire with ground (3 wires total) from the power supply (breaker panel) to the junction box on the unit.
- All wiring must be completed prior to installing the unit.
- Ensure that the voltage selector switch is in the proper position for the required supply voltage prior to connecting the unit to the power supply.

1. Locate the voltage selector switch inside the exhaust panel on the top left hand corner of the unit. (see figure 2 on page 3)
2. Confirm the switch is set to 120 volt configuration (115 volt is printed on switch).
3. Loosen the screw securing the junction box cover and remove the cover.
4. Remove the knockouts (if necessary) or use a cable clamp (not provided).
5. Pull out the four wires marked L1, L2, N, and G.
6. Connect the black L1 wire from the unit to the black L1 from the power supply.
7. Connect the red L2 wire and the N wire from the unit to the N wire from the power supply.
8. Connect the green ground wire from the unit to the ground from the power supply.
9. Ensure that all connections are tight.
10. Insert all the wiring back into the unit and secure with a cable clamp.



Junction Box Locator: Figure 6

Wire Connection Diagram: Figure 7

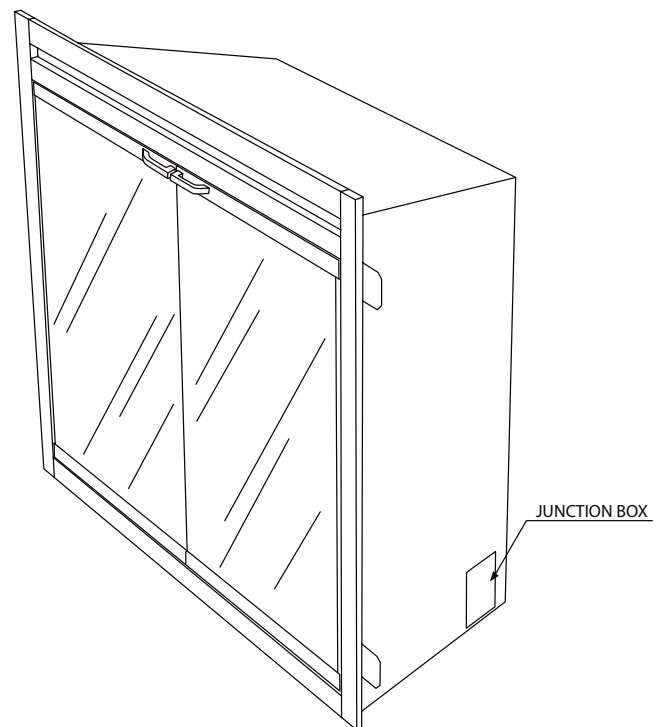


Section 6: 240 Volt Installation Instructions

Important

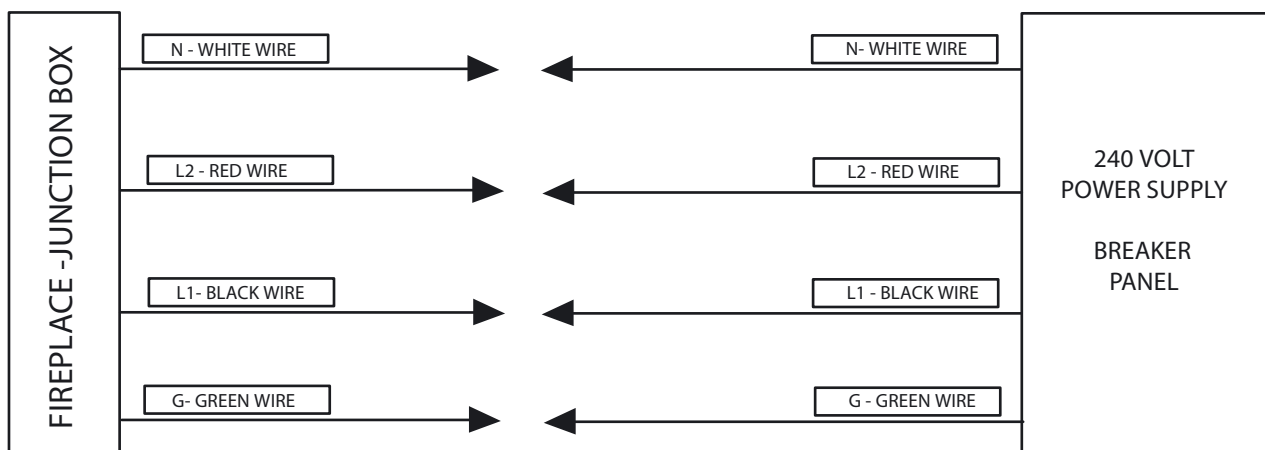
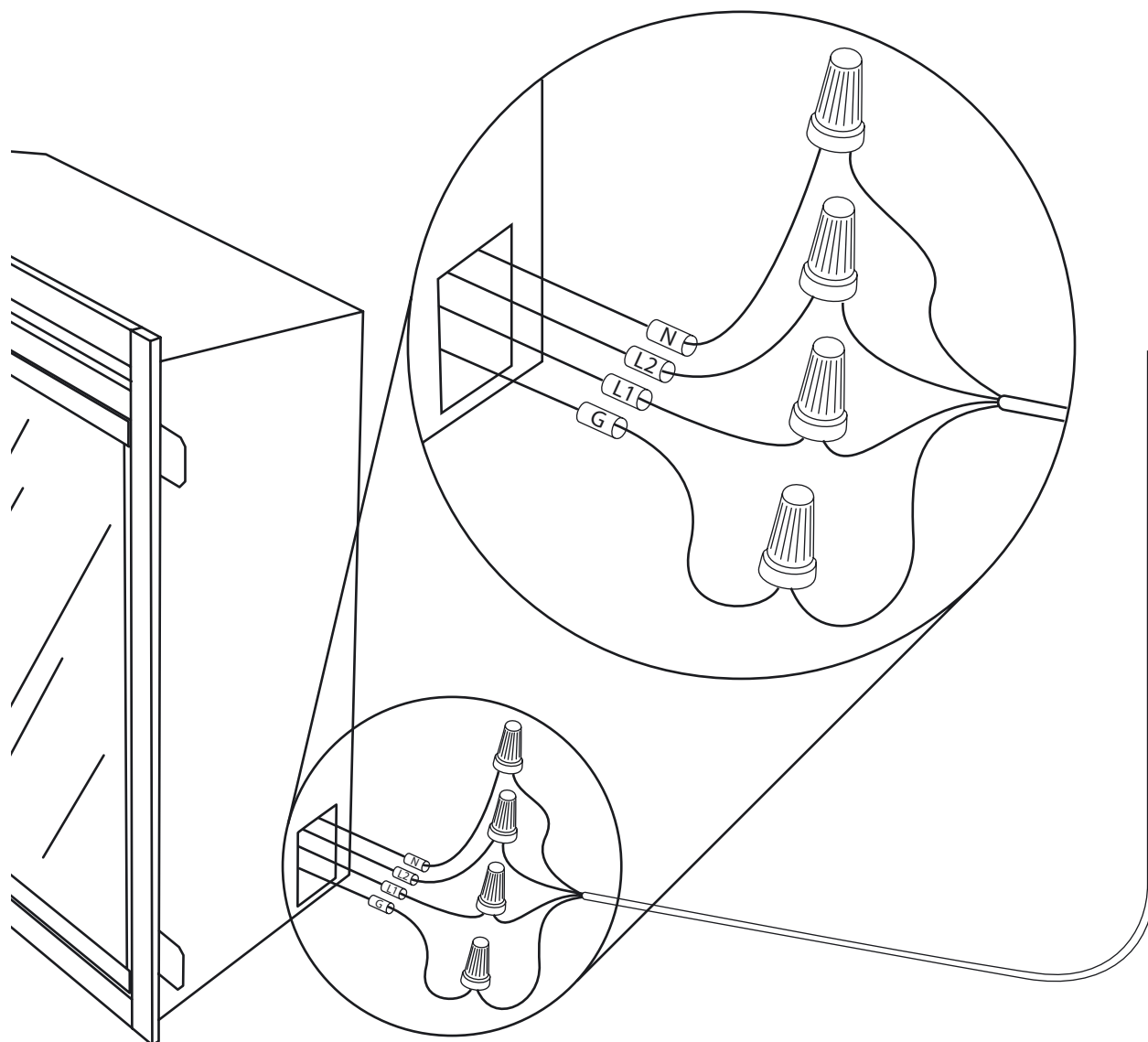
- The unit is factory configured for 120 volt operation. You must set the voltage selection switch to 240 volts (230 volt is printed on the switch).
- Use 3 conductor wire with ground (4 wires total) from the power supply (breaker panel) to the junction box on the unit.
- All wiring must be completed prior to installing the unit.
- Ensure that the voltage selector switch is in the proper position for the required supply voltage prior to connecting the unit to the power supply.

1. Locate the voltage selector switch inside the exhaust panel on the top left hand corner of the unit. (see figure 2 on page 3)
2. Confirm the switch is set to 240 volt configuration (230 volt is printed on switch).
3. Loosen the screw securing the junction box cover and remove the cover.
4. Remove the knockouts (if necessary) or use a cable clamp (not provided).
5. Pull out the four wires marked L1, L2, N, and G.
6. Connect the black L1 wire from the unit to the black L1 from the power supply.
7. Connect the red L2 wire from the unit to the red L2 from the power supply.
8. Connect the white N wire from the unit to the white N wire from the power supply.
9. Connect the green ground wire from the unit to the ground from the power supply.
10. Ensure that all connections are tight.
11. Insert all the wiring back into the unit and secure with a cable clamp.



Junction Box Locator: Figure 8

Wire Connection Diagram: Figure 9

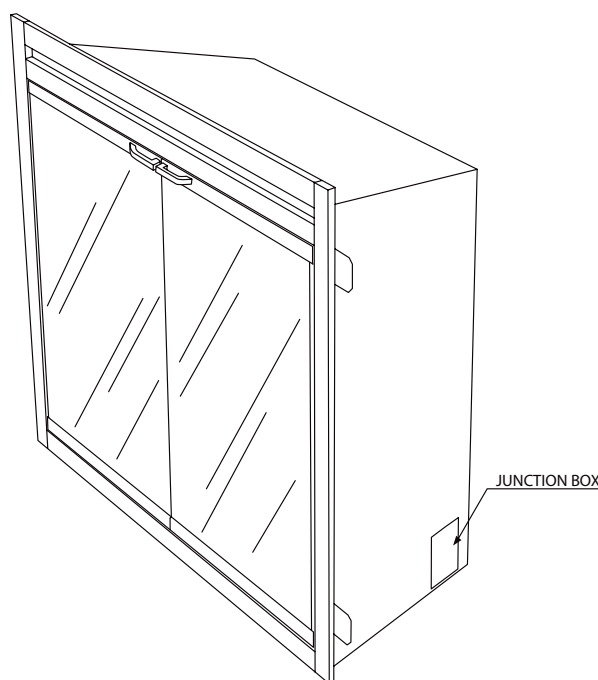


Section 7: Wall Mounted Thermostat Wiring For 120/240 Volt

ATTENTION

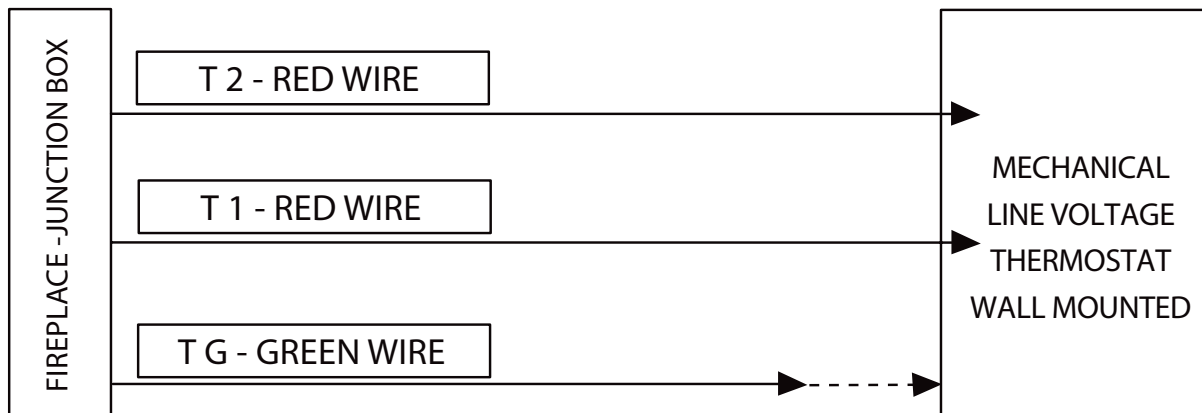
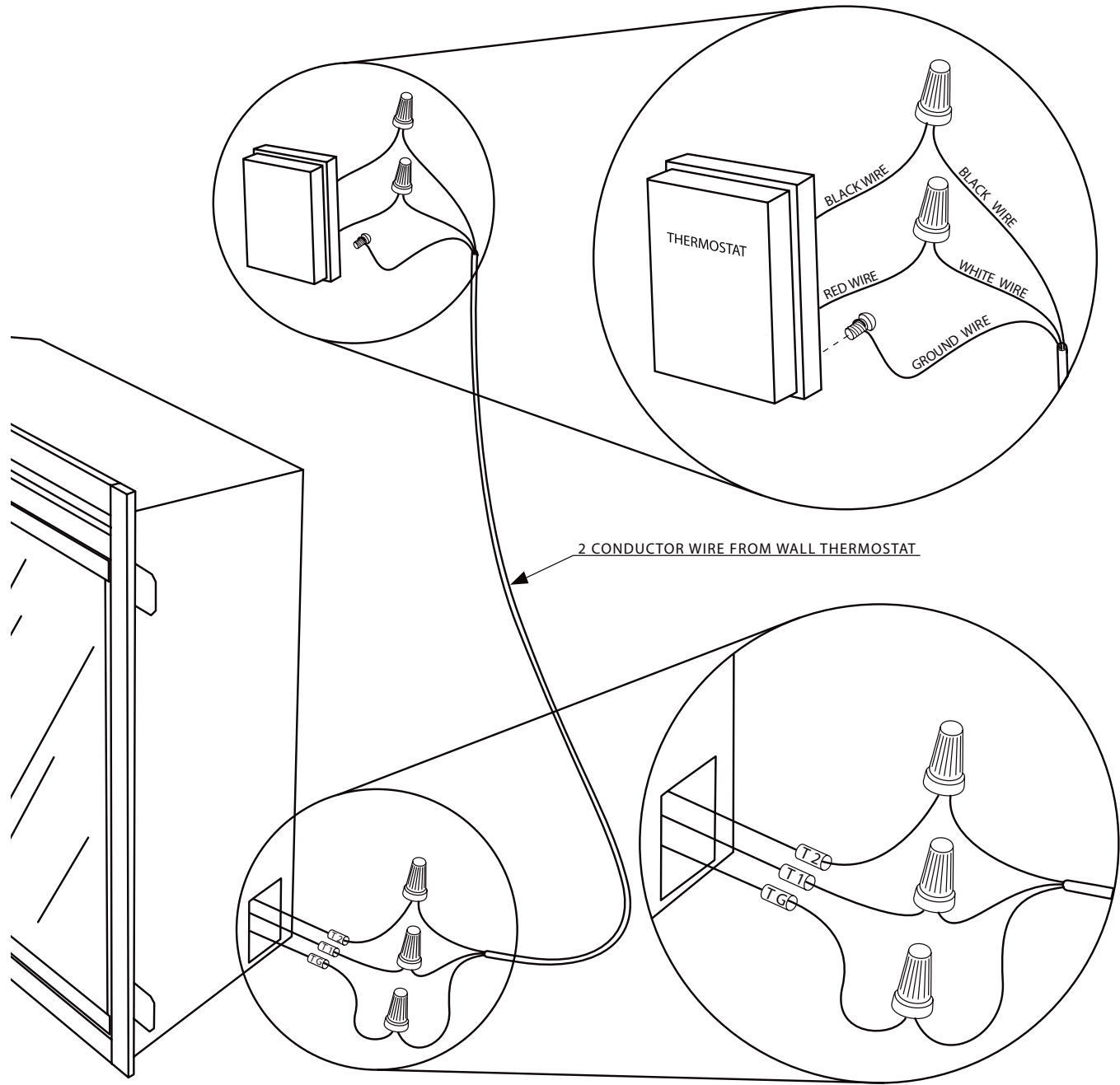
- Install main power connection with appropriate voltage as per Section C or Section D.
- Install a 2 conductor wire with ground (3 wires total) from the thermostat wall box to the junction box on the unit.
- Wiring of the thermostat must be completed prior to the mounting of the unit.
- The following installation instructions are for a single pole thermostat.

1. Loosen the screw securing the junction box and remove the cover.
2. Remove the knockouts (if necessary) or use the provided cable clamp.
3. Pull out the three wires marked T1, T2, and TG. (red, red, and green)
4. Remove the wire connector and separate the wires marked T1 & T2.
5. Connect the (red) T1 wire from the unit to the white (neutral) wire from the wall thermostat box by using a wire connector. (not supplied)
6. Connect the other end of the white (neutral) wire from the thermostat wall box to the red wire from the wall thermostat.
7. Connect the (red) T2 wire from the unit to the black wire from the thermostat wall box by using a wire connector. (not supplied)
8. Connect the other end of the black wire from the thermostat wall box to the black wire from the wall thermostat.
9. Connect the green (ground) TG wire from the unit to the green (ground) wire from the thermostat wall box by using a wire connector. (not supplied)
10. Connect the other end of the green (ground) wire from the thermostat wall box to the back plate of the wall mounted thermostat with a ground screw.
11. Ensure that all connections are tight.
12. Insert all the wiring of the wall mounted thermostat into the wall box.
13. Insert all the wiring back into the unit and secure with a cable clamp.

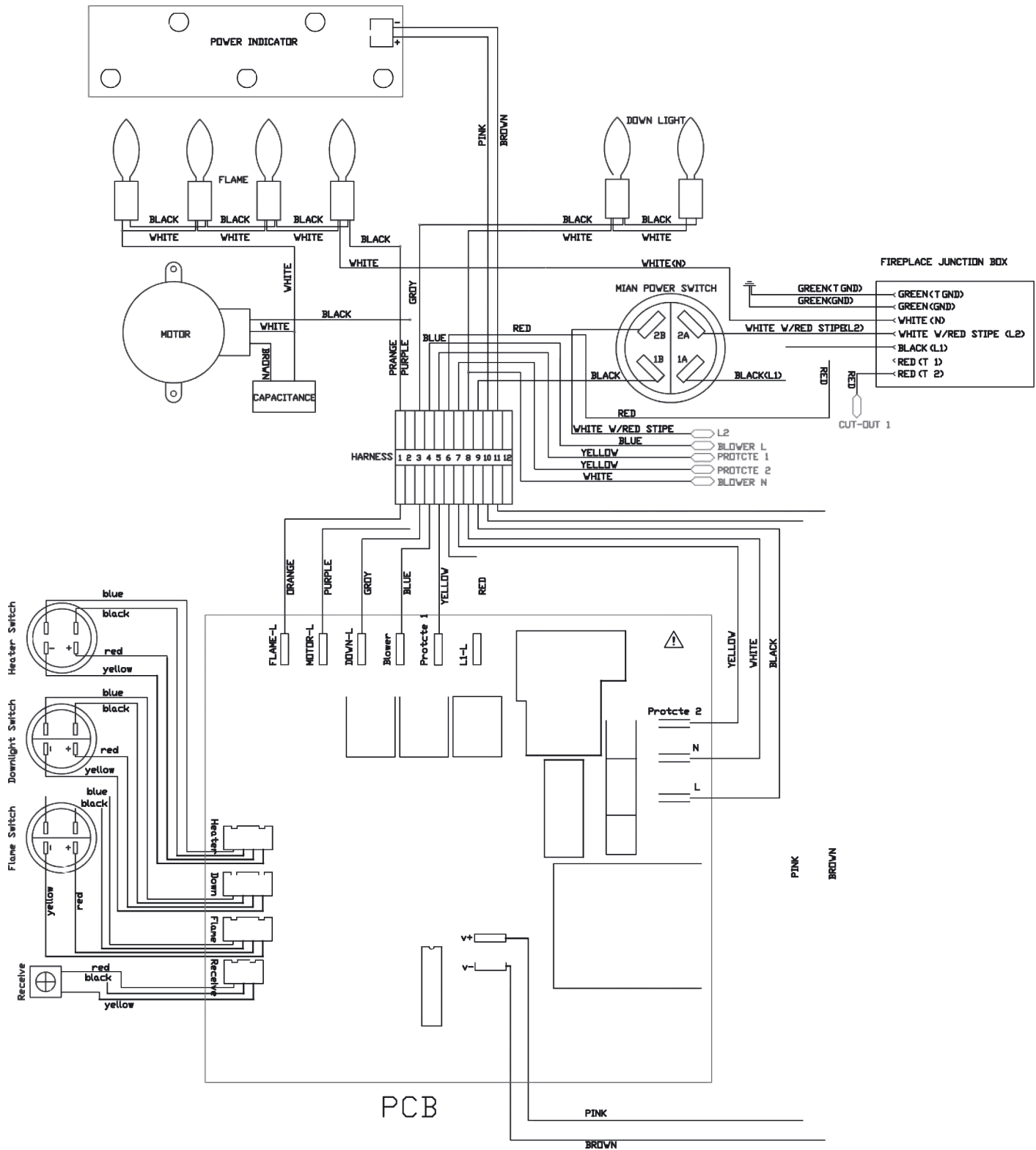


Junction Box Locator: Figure 10

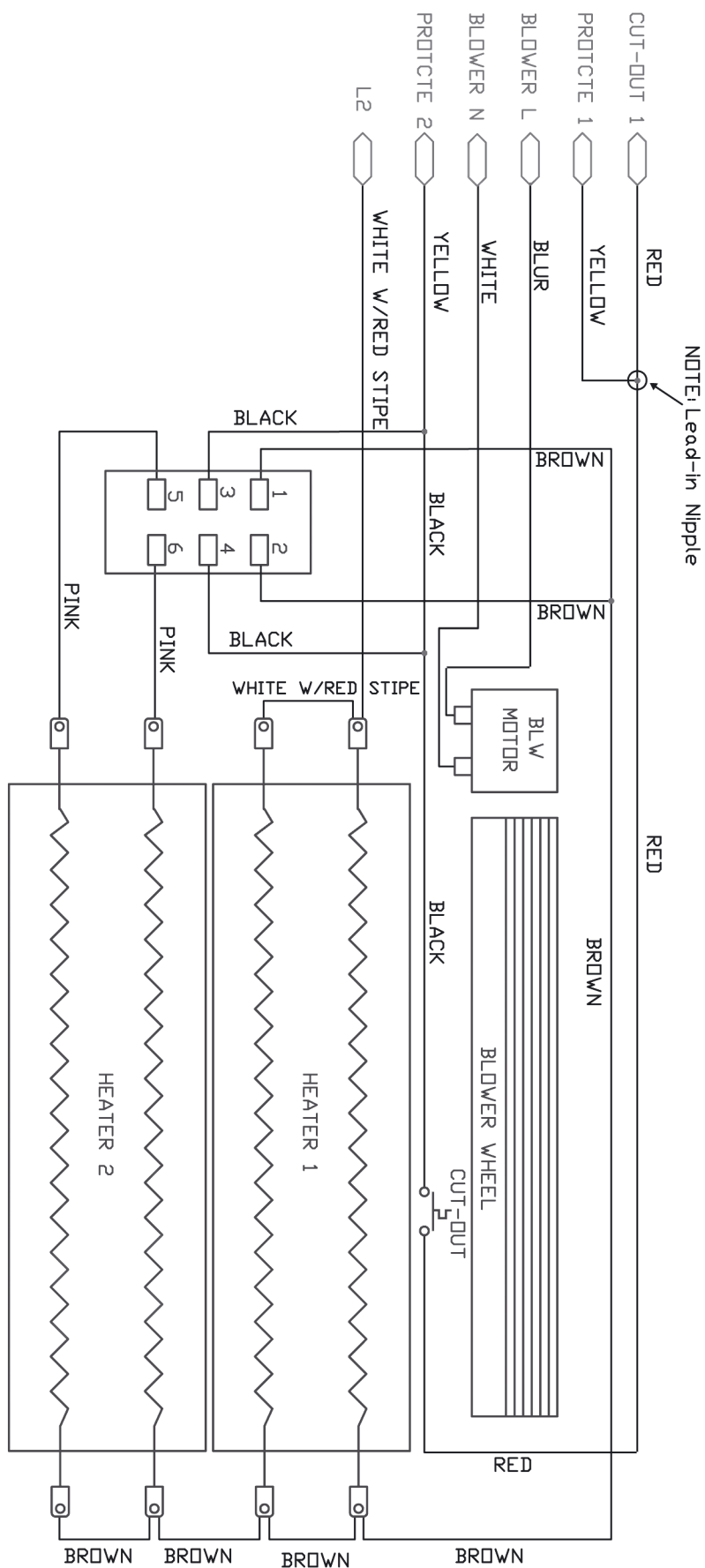
Wire Connection Diagram: Figure 11



Section 8: Wiring Schematic - Bottom Section & PCB



Section 9: Wiring Schematic - Heater





A Division of Twin-Star International, Inc.
115 S.E. 4th Avenue • Delray Beach, Florida 33483
Phone: 561-330-3201 • Fax: 561-330-3205
www.classicflame.com